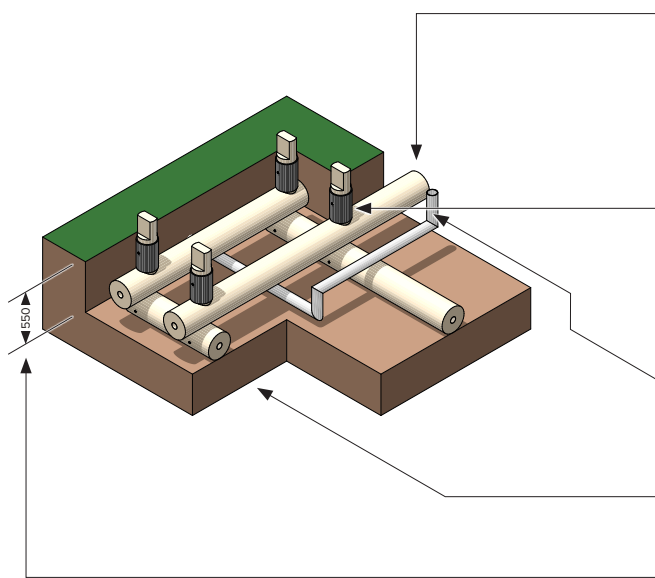


Type RFT1

TTT Raft Foundation – suspended timber floor with lightweight claddings*

1



Ø275 H5 TTT MultiPole UniLog secondary foundation beams laid over primary foundation beams in a perpendicular lattice.

The Raft Foundation footprint is generally within the building footprint.

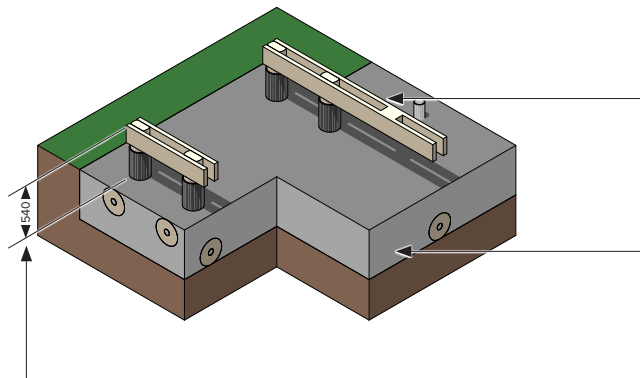
Ø180 H5 UniLog jack studs (with pressed PE pipe sleeve) pre-scalloped to fit over foundation beams are fixed with proprietary connection. Jack stud tops scarfed for seating of primary timber bearers.

Underground services can be placed between, under and over beams as required, or hung under suspended floor.

Subsoil with minimum Ultimate Bearing Capacity (UBC) of 100kPa.

Standard pit excavation depth.

2

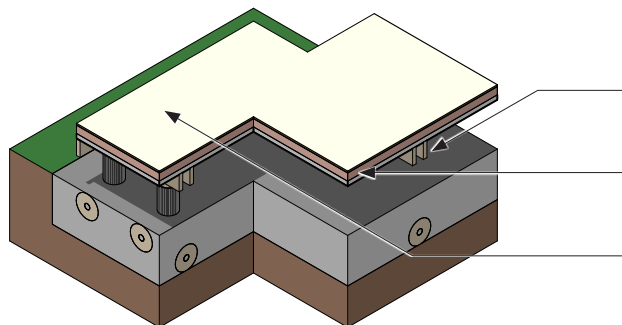


2/190 x 45 H3.2 SGB primary timber bearers are seated onto and fixed either side to scarfed UniLog jack studs with solid blocking at mid-span.

Excavated pit fill material is replaced in accordance with geotechnical engineers design with minimum Ultimate Bearing Capacity (UBC) of 100kPa.

Minimum height to top of primary timber bearers above ground level.

3



Timber joists laid over primary timber bearers.

Underfloor insulation laid between timber joists, and over optional sub-floor lining.

Selected timber floor installed.

*Lightweight claddings as determined by the relevant NZ building codes



DEEP PILE



GROUND IMPROVEMENT



SUSPENDED FLOOR



RAFT



UNDER HOUSE



BRIDGES